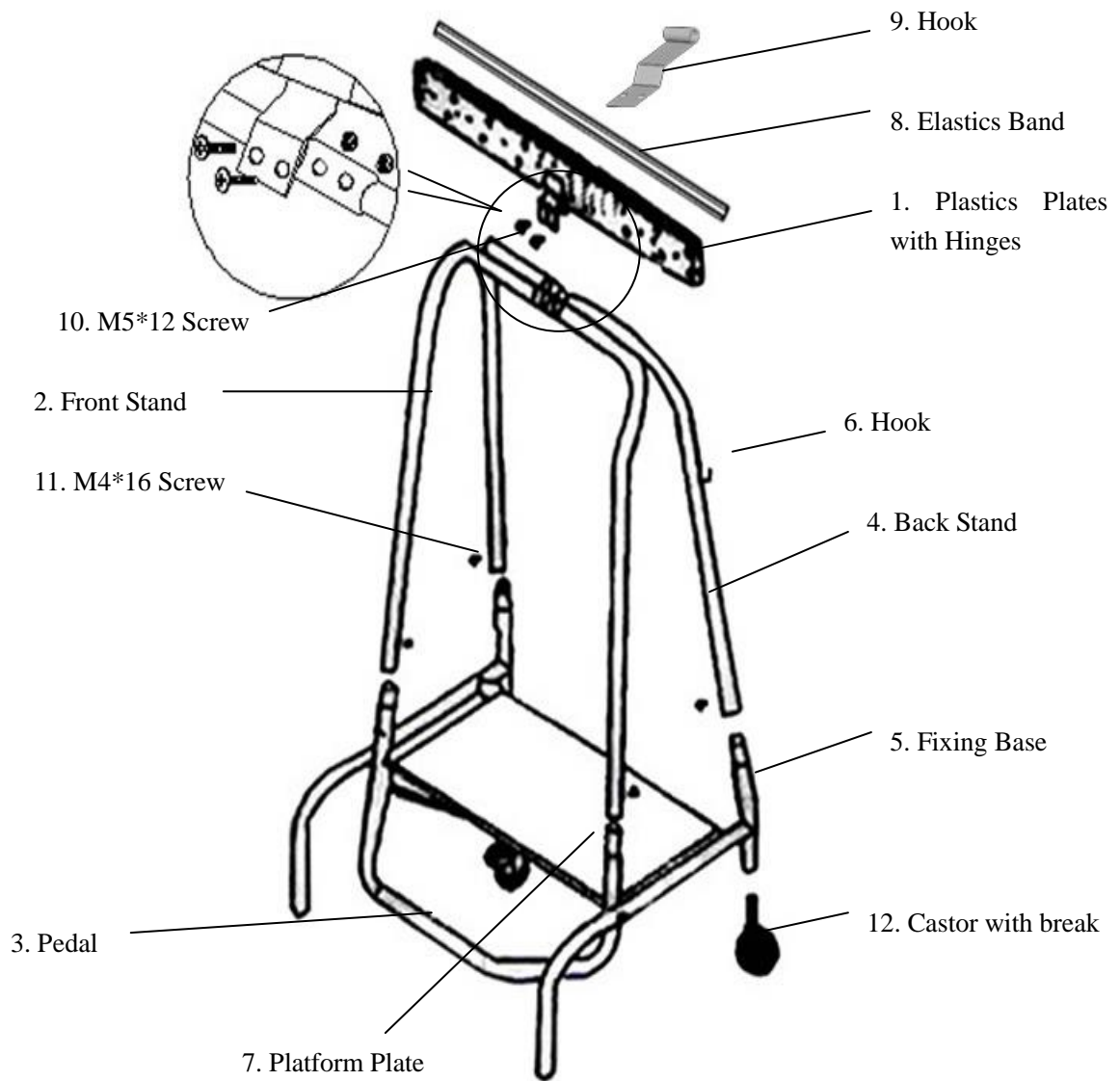


Assembling Diagram (Item no. 90077)



List of Parts

No.	Model	Item	Qty
1	LBS-01	Plastics Plates with Hinges	1
2	LBS-02	Front Stand	1
3	LBS-03	Pedal	1
4	LBS-04	Back Stand	1
5	LBS-05	Fixing Base	1
6	LBS-06	Hook	1
7	LBS-07	Platform Plate	1
8	LBS-08	Elastics Band	1
9	LBS-09	Hook	1
10	GB/T6184-2000	M5*12 Screw	4
11	GB/T818-2000	M4*16 Screw	4
12	S50E	Castor with break	2